

OL125FT product information sheet

Product Specifications

Fits most: 23" - 45" flat panels

Supports up to: 125 lbs (56.7 kg)

Tilts: 3°, 5° and 7° increments

Mounting Profile: 2.0" (51 mm)

Universal & VESA Compliant: 100x100 to 400x400

Mounting: Double-stud

Warranty: 5 years

Color: Black

Product Benefits

- Eco-friendly design and packaging
 - Low 2.0" (51mm) mounting profile
 - Tilt at 3°, 5° and 7° increments to reduce glare
 - Streamlined dual-function rails can easily alternate between fixed and tilt positions
 - Includes universal rails and spacers for greater panel compatibility
 - Single wall plate allows for quick installation
 - Small footprint provides ample room for power and A/V cutouts behind panel
 - Lift n' Lock™ allows you to easily attach your flat panel to the mount
 - Sliding lateral on-wall adjustment
- Locking system secures panel to mount
 - Installation template for simple and accurate mounting
 - Includes complete hardware kit



Exclusively by OmniMount, the eco-friendly OmniLite packaging is designed with installation instructions and a mounting template printed on the inside of the box, giving you everything needed to mount your flat panel with confidence – but without waste.

Series



OL50FT



OL125FT



OL200FT



OL50C



OL125C



OmniMount, an innovator of A/V mounts and furniture for more than a quarter century, is the choice of professional installers and the brand most recommended by flat panel manufacturers. In our ongoing effort to conserve nature's resources and reduce waste, OmniMount is proud to introduce the eco-friendly OmniLite Series™. Wherever possible, we've minimized component parts and used recycled materials in an effort to offer efficient mounting solutions, without sacrificing quality. The OL125FT has an efficient dual-function design and is perfect for eco-conscious consumers looking for a large flat panel mounting solution.



OL125FT technical data sheet



OmniMount, an innovator of A/V mounts and furniture for more than a quarter century, is the choice of professional installers and the brand most recommended by flat panel manufacturers. In our ongoing effort to conserve nature's resources and reduce waste, OmniMount is proud to introduce the eco-friendly OmniLite Series.™ Wherever possible, we've minimized component parts and used recycled materials in an effort to offer efficient mounting solutions, without sacrificing quality. The OL125FT has an efficient dual-function design and is perfect for eco-conscious consumers looking for a large flat panel mounting solution.



Product Specifications

Fits most: 23" - 45" flat panels

Supports up to: 125 lbs (56.7 kg)

Tilts: 3°, 5° and 7° increments

Mounting Profile: 2.0" (51 mm)

Universal & VESA Compliant: 100x100 to 400x400

Mounting: Double-stud

Warranty: 5 years

Color: Black

Product Benefits

- Eco-friendly design and packaging
- Low 2.0" (51mm) mounting profile
- Tilt at 3°, 5° and 7° increments to reduce glare
- Streamlined dual-function rails can easily alternate between fixed and tilt positions
- Includes universal rails and spacers for greater panel compatibility
- Single wall plate allows for quick installation
- Small footprint provides ample room for power and A/V cutouts behind panel
- Lift n' Lock™ allows you to easily attach your flat panel to the mount

- Sliding lateral on-wall adjustment
- Locking system secures panel to mount
- Installation template for simple and accurate mounting
- Includes complete hardware kit

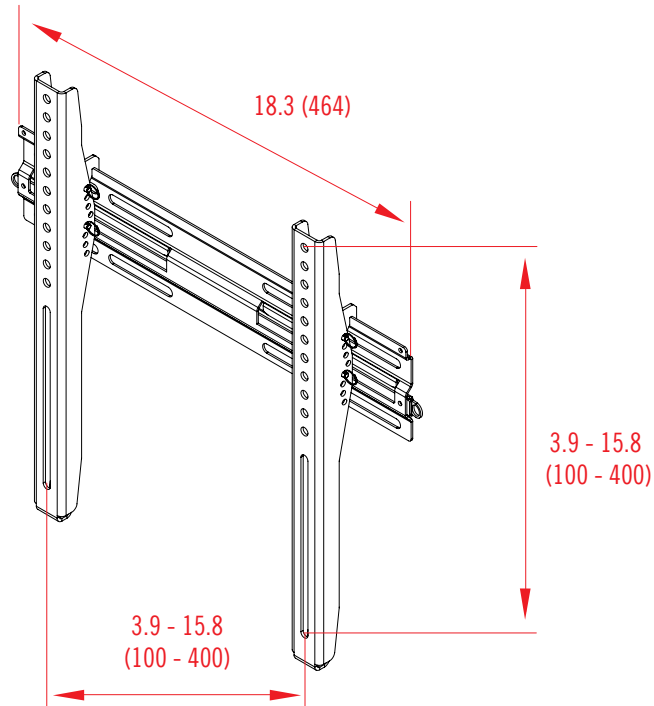
	Stock Code	Packaging UPC	MC UPC
Americas	1004524-1	728901023651	728901717109
International	1004524INT-1	728901023651	728901717109

	Dimensions WxDxH Inches (mm)	Wt lbs (kg)
Product Box	23.8 x 5.5 x 2.4 (605x140x60)	7.3 (3.3)
Master Carton	24.6 x 6.3 x 11.2 (625x160x285)	29.8 (13.5)

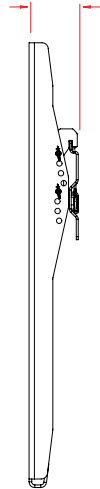
Box Contents	Qty
Wall plate	1
Universal rail	2
Locking bar	1
Complete mount installation hardware kit	1

Box Contents	Qty
Complete mount attachment hardware kit	1
Instruction manual	1
Flat panel compatibility chart	1

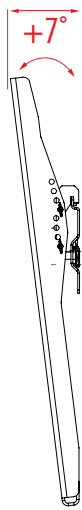
OL125FT line drawings



1.9 (50)



2.8 (72)



inches (mm)