

# Product Information Sheet



## HTS2

OmniMount, a leader in home theater furniture and accessories, offers an impressive assortment of speaker stands. Functionality and aesthetics are equally represented across all lines, while unique features distinguish them from the competition. The HTS Series is designed to optimize ease-of-use, provide positioning flexibility and compatibility with a variety of speakers. With a sleek and unobtrusive look, they match everything from traditional to contemporary styles. HTS2 is sensible choice for medium bookshelf speakers.



Although they appear very slim, there's still room to route speaker wires through the post

### BENEFITS

- Clamp-style speaker adapter
- 33" to 46.5" height adjustable post allows for ideal listening position
- In-post cable management hides wire
- Floor spikes level and tighten bass response
- Heavy die cast base for maximum stability

### SPECIFICATIONS

- Fits most medium bookshelf speakers
- Supports speakers up to 8.0 lbs (3.6 kg)
- Includes two speaker stands
- Available in Grey with black base
- 10.8" w x 33-46.5" h x 11.8" d (273mm x 838-1181mm x 299mm)

## Speaker Stands



ELo



Gemini



HTS



WS



## HTS2



### BENEFITS

- Clamp-style speaker adapter
- 33" to 46.5" height adjustable post allows for ideal listening position
- In-post cable management hides wire
- Floor spikes level and tighten bass response
- Heavy die cast base for maximum stability

### SPECIFICATIONS

- Fits most medium bookshelf speakers
- Supports speakers up to 8.0 lbs (3.6 kg)
- Includes two speaker stands
- Available in Grey with black base
- 10.8" w x 33-46.5" h x 11.8" d (273mm x 838-1181mm x 299mm)

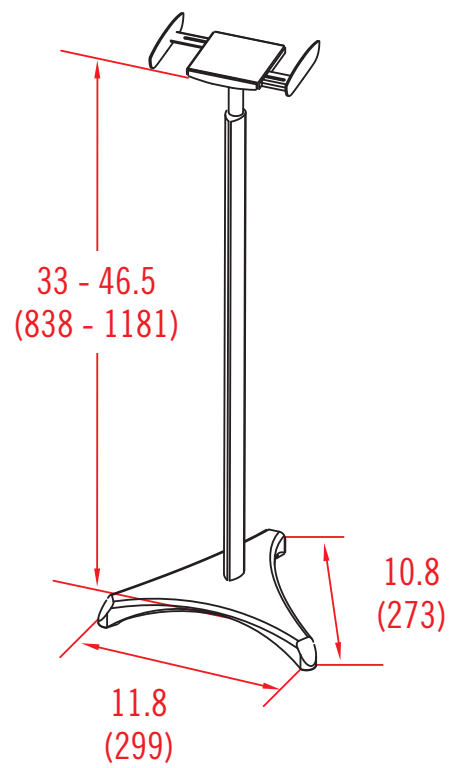
	Color	Stock Code	Packaging UPC	MC UPC	Dimensions WxDxH inches (mm)	Wt lbs (kg)
<b>Americas</b>	GREY	1002369-1	728901011122	728901704192	<b>Product Box</b> 30.4 x 11.2 x 3.2 (772x285x80)	22.1 (10)
<b>International</b>	GREY	1001904-1	728901013188	728901706264	<b>Master Carton</b> 32.4 x 12.1 x 7.4 (822x308x187)	46.2 (21)

Box Contents	Qty
Base	2
Lower post	2
Upper post	2
Isolation post	6
Complete stand assembly hardware kit	2
Complete speaker attachment hardware kit	2
Instruction manual	1

OmniMount, a leader in home theater furniture and accessories, offers an impressive assortment of speaker stands. Functionality and aesthetics are equally represented across all lines, while unique features distinguish them from the competition. The HTS Series is designed to optimize ease-of-use, provide positioning flexibility and compatibility with a variety of speakers. With a sleek and unobtrusive look, they match everything from traditional to contemporary styles. HTS2 is sensible choice for medium bookshelf speakers.



# HTS2



inches (mm)