

AB2 technical data sheet



OmniMount, an innovator of A/V mounts and furniture for more than a quarter century, is the choice of professional installers and the brand most recommended by flat panel manufacturers. The AudioBasics Series speaker mounts provide flexible and reliable mounting options for small surround sound systems – all in a low-cost solution. The AB2 provides convenience and versatility for mounting medium bookshelf speakers up to 8 lbs (3.6 kg).



Product Specifications

Fits most: Medium bookshelf speakers

Supports up to: 8 lbs (3.6 kg)

Base rotation: 360°

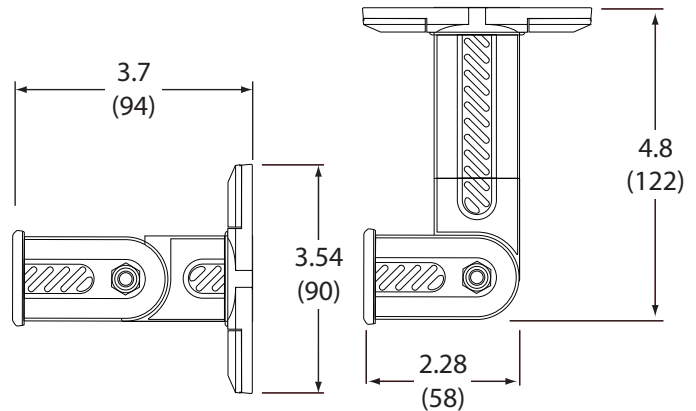
Pan: 180°

Tilt: +/-30°

Color: Black and White

Product Benefits

- Mount on wall or ceiling
- Injection molded, glass reinforced nylon
- Includes T-bar clip for drop ceilings
- Suitable for all weather conditions
- Includes two extensions that create three different lengths
- Includes complete hardware kit



	Color	Stock Code	Packaging UPC	MC UPC
Americas	Black	818212FE-1	728901007002	728901700453
International	Black	1001896-1	728901012938	728901706011
Americas	White	818222FE-1	728901007019	728901700460
International	White	1001897-1	728901012945	728901706028

	Dimensions WxDxH inches (mm)	Wt lbs (kg)
Product Box	6.4 x 10.1 x 1.3 (162x257x32)	.6 (.3)
Master Carton	8 x 12 x 7.8 (203x305x198)	3.1 (1.4)

Box Contents	Qty
Mounting plate	1
Screw cover	2
Extension	2
Adjusting knuckle	1

Box Contents	Qty
Speaker plate	1
Complete installation hardware kit	1
Instruction manual	1