

# ULPF-M product information sheet

## Product Specifications

**Fits most:** 23" - 42" flat panels

**Supports up to:** 125 lbs (56.7 kg)

**Mounting profile:** 1.5" (37mm)

**Universal & VESA compliant:** 100x200 to 400x400

**Mounting:** Double-stud

**Warranty:** 5 years

**Color:** Black

## Product Benefits

- Low 1.5" (37mm) mounting profile
- Innovative built-in kickstand makes wiring your flat panel convenient
- Universal rails for greater panel compatibility
- Lift n' Lock™ allows you to easily attach your flat panel to the mount
- Sliding lateral on-wall adjustment
- Open architecture provides easy access to in-wall wiring
- Locking system secures panel to mount
- Wall plate covers conceal mounting hardware
- Extruded aluminum end caps present a clean side view
- Installation template for simple and accurate mounting
- Includes complete hardware kit



The ULPF-M is designed with an innovative built-in kickstand which allows one person to wire the flat panel with no vertical lifting

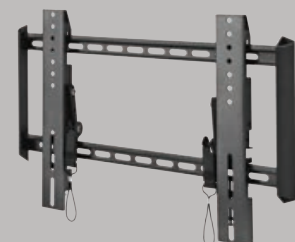
## Series



FULL MOTION MOUNTS



TILT MOUNTS



FIXED MOUNTS



OmniMount, an innovator of A/V mounts and furniture for more than a quarter century, is the choice of professional installers and the brand most recommended by flat panel manufacturers. The Ultra Low Profile Series of fixed, tilt and full motion mounts offers a sleek and slim design without compromising functionality. With an impressively low 1.5" (37mm) mounting profile, the ULPF-M is a medium fixed mount perfectly-suited for those applications where seamless integration counts most.



# ULPF-M



OmniMount, an innovator of A/V mounts and furniture for more than a quarter century, is the choice of professional installers and the brand most recommended by flat panel manufacturers. The Ultra Low Profile Series of fixed, tilt and full motion mounts offers a sleek and slim design without compromising functionality. With an impressively low 1.5" (37mm) mounting profile, the ULPF-M is a medium fixed mount perfectly-suited for those applications where seamless integration counts most.



## Product Specifications

**Fits most:** 23" - 42" flat panels

**Supports up to:** 125 lbs (56.7 kg)

**Mounting profile:** 1.5" (37mm)

**Universal & VESA compliant:** 100x200 to 400x400

**Mounting:** Double-stud

**Warranty:** 5 years

**Color:** Black

## Product Benefits

- Low 1.5" (37mm) mounting profile
- Innovative built-in kickstand makes wiring your flat panel convenient
- Universal rails for greater panel compatibility
- Lift n' Lock™ allows you to easily attach your flat panel to the mount
- Sliding lateral on-wall adjustment
- Open architecture provides easy access to in-wall wiring
- Locking system secures panel to mount

- Wall plate covers conceal mounting hardware
- Extruded aluminum end caps present a clean side view
- Installation template for simple and accurate mounting
- Includes complete hardware kit

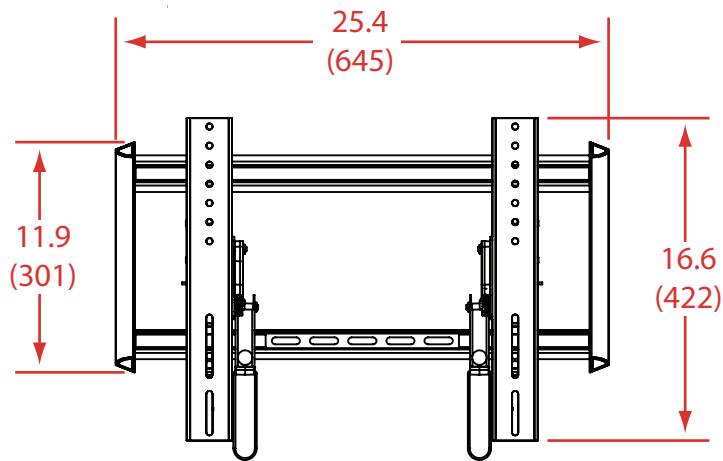
	Stock Code	Packaging UPC	MC UPC
Americas	1003919-1	728901020742	728901714191
International	1003919EU-1	728901020803	728901714252

	Dimensions WxDxH inches (mm)	Wt lbs (kg)	Qty
Box	14 x 26.4 x 3.5 (355x670x90)	13.6 (6.2)	NA
MC	14.8 x 27 x 7.3 (375x686x184)	28.3 (12.8)	2

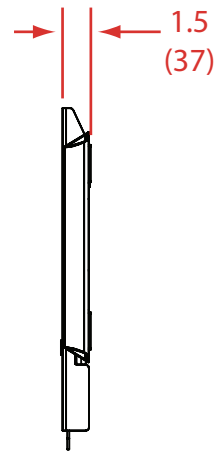
Box Contents	Qty
Wall plate	1
Vertical rail with kickstand	2
Security clip	2
Bottom rail cover	1
Top rail cover	1

Box Contents	Qty
Complete mount installation hardware kit	1
Complete panel attachment hardware kit	1
Installation template	1
Instruction manual	1

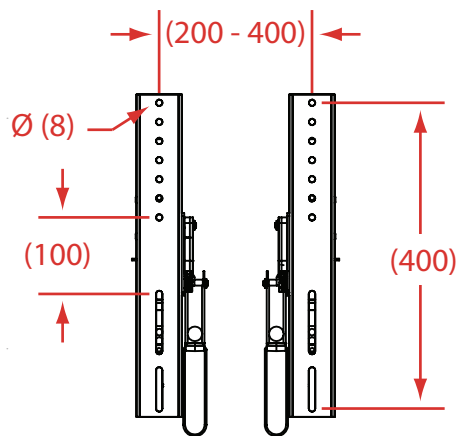
# ULPF-M line drawing



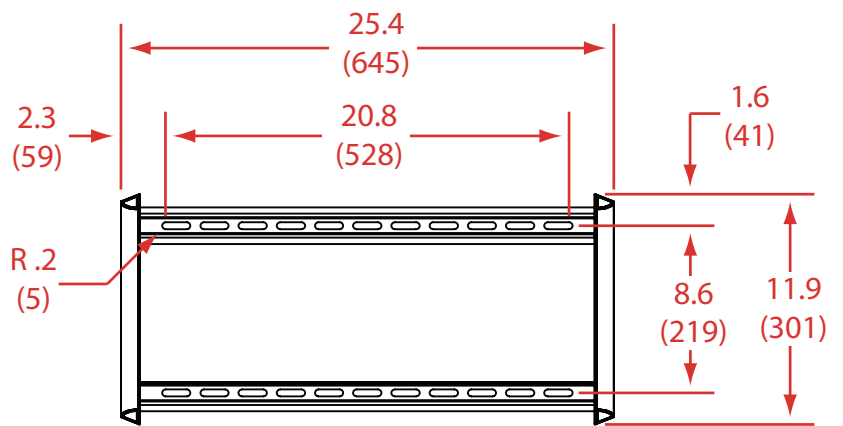
FRONT VIEW



MOUNTING PROFILE



PANEL ATTACHMENT -  
VESA COMPATABILITY (mm)



WALL MOUNTING

inches (mm)