



*Home Entertainment*

## Assembly Instructions

Stellar 303 & 304

Audio Towers



- Unique floating shelf design
- Top shelf can be used for LCD TV
- Cable management

---

Thank you for purchasing an OmniMount product.

---

Specifications are subject to change without prior notice.


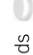




Every effort has been made to provide accurate and error-free assembly and installation. OmniMount Systems disclaims liability for any difficulties arising from the interpretation of information contained in these instructions. If OmniMount products are used for purposes other than their original intent, OmniMount, its distributors and retailers shall not be held responsible or liable for injuries or property damage, direct, indirect, or consequential, which may arise from the inability to use this product safely, properly, and in the manner for which it has been designed and manufactured. Warranty does not apply to products which have been lost, damaged by misuse, abuse, or accident.

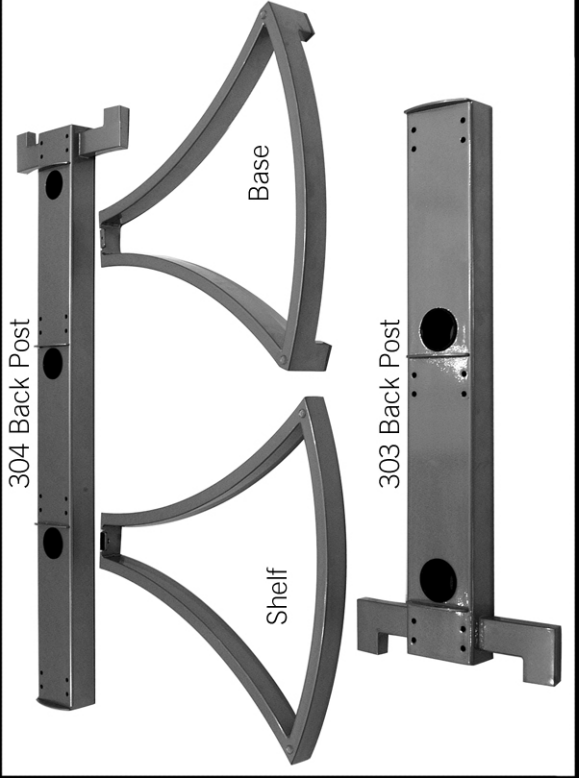
OmniMount Systems, Inc.  
8201 South 48th Street • Phoenix, AZ 85044-5355

**IMPORTANT: Consult your dealer if you have any questions regarding the proper assembly of this product.**

---

# Model: G303 & G304

G303 & G304 PARTS LIST		Model Quantity
		303 304
Leveling Foot		2
Self adhesive pads		6
Long hex head screws		12
Set screws		3
End Caps		2
Hex Wrench		1



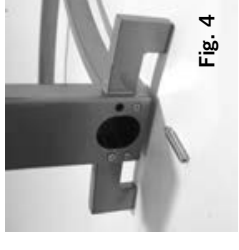
## Step 3

Install end caps into foot sections on front of base frame. (Fig. 3)



## Step 4

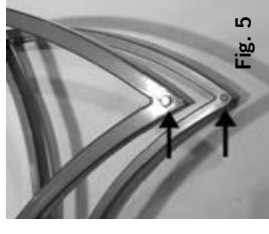
Secure shelf frames to back post with long hex bolts, using supplied hex wrench. **Note:** It is easiest to begin with base shelf.



Rock the stand to check that it is level and stable. **Note:** For unstable condition, un-screw shortest leveling foot until table sits level.

## Step 5

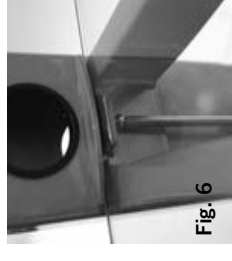
Attach adhesive pads to corners of each shelf. (Fig. 5)



## Step 6

Insert rear of glass shelves into retention brackets, and tighten retention screw with screwdriver. (Fig. 6)

**DO NOT OVERTIGHTEN**



## Step 1

Install hex screw into pads on bottom of back post. (Fig. 1a)



Install cable port covers into back post. (Fig. 1b)



## Fig. 2a

## Step 2

Install shelf retention screws into flange at rear of shelves. (Fig. 2a)  
Note: Set screw should be flush with bracket. (Fig. 2b)



Install shelf pad on flange. (Fig. 2b)

